

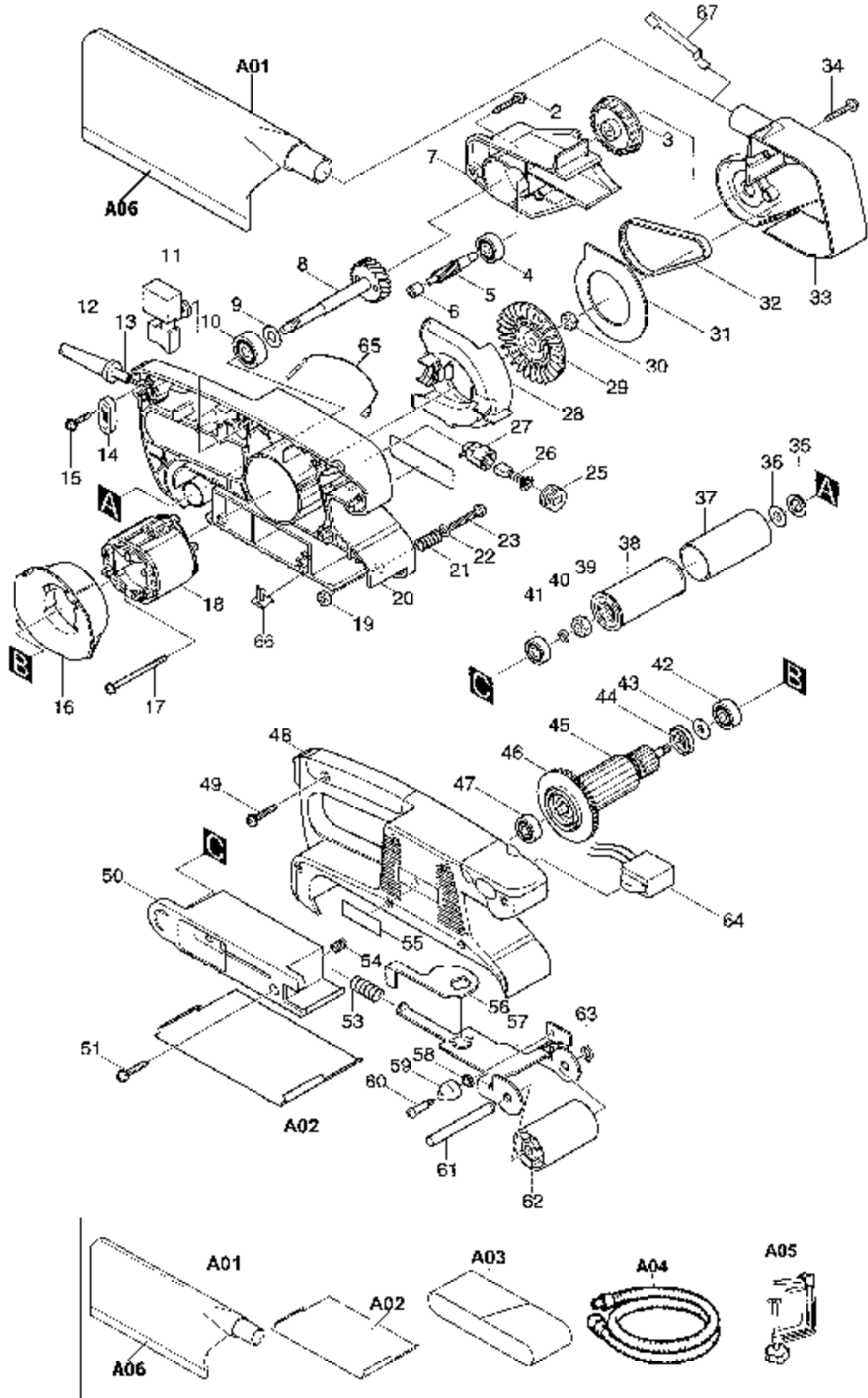


### 3" x 18" BELT SANDER-SINGLE SPEED

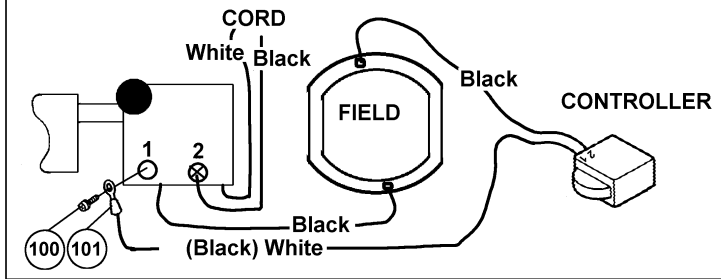
Model 9910(MJ,MME)

### 3" x 18" BELT SANDER

Model 9911(MJ,MME)



## WIRING DIAGRAM

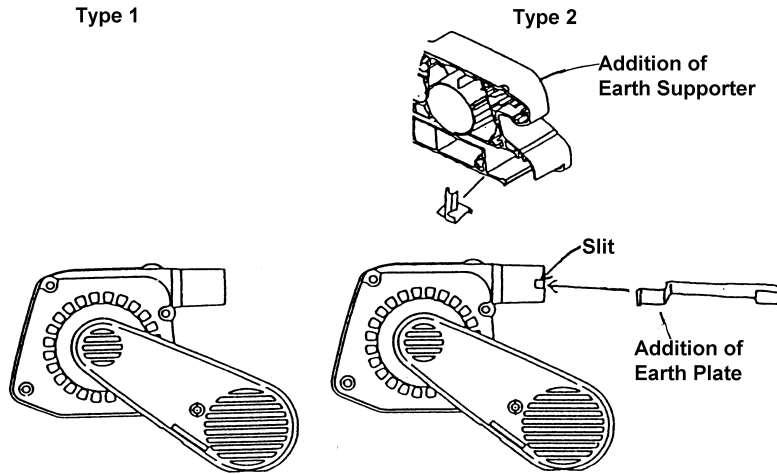


Item No.	Part No.	No. Used	Description	Item No.	Part No.	No. Used	Description
2	265999-8	4	Tapping Screw, Flange, 4x25	45	517241-6	1	Armature Assy (Includes Items 42-44, 46 & 47) * (Type 1 Armature Shaft 1.7mm Dia, Type 2 Armature Shaft 9.7mm Dia.)
3	222144-8	1	Pulley 8.5-45.1	46	240008-4	1	Fan 60
4	210005-4	1	Ball Bearing 608DDW	47	211021-9	1	Ball Bearing 607LLB
5	226494-3	1	Helical Gear 6	48	182982-9	1	Housing (R)(With Item 55)
6	212009-2	1	Needle Bearing 509	49	265999-8	7	Tapping Screw, Flange, 4x25
7	416420-2	1	Bracket	50	416419-7	1	Shoe
8	153252-3	1	Helical Gear 31 Com.	51	265999-8	2	Tapping Screw, Flange, 4x25
9	253758-2	1	Flat Washer 10	53	233221-1	1	Compression Spring 12
10	211088-7	1	Ball Bearing 6000DDW	54	<b>231038-6</b>	1	Compression Spring 6
11	651285-7	1	Switch	55	819063-3	1	Makita Label
12	682502-4	1	Cord Guard 8-85	56	344585-9	1	Lever
13	664013-1	1	Cord With Plug 2P-18-2.5M	57	150837-6	1	Tension Roller Arm Com.
14	687063-9	1	Strain Relief	58	267731-6	1	Cup Washer
15	265995-6	2	Tapping Screw 4x18	59	416417-1	1	Roller
16	416418-9	1	Baffle Plate	60	265059-6	1	Shoulder Screw 14
17	266052-3	2	Tapping Screw, Flange PT4x60	61	323776-5	1	Tension Roller Shaft
18	633391-0	1	Field	62	152585-3	1	Tension Roller Com.
19	931202-6	1	Hex Nut M5	63	961004-6	1	Retaining Ring S-8
20	150958-4	1	Housing (L)(Includes Items 6,19 & 66)	64	631182-3	1	Controller
21	233219-8	1	Compression Spring 6	65	632800-6	2	Lead Unit
22	941102-2	1	Flat Washer 5	66	<b>344703-9</b>	1	Earth Supporter
23	911252-7	1	P.H. Screw M5x30	67	<b>344701-3</b>	1	Earth Plate
25	643550-8	2	Brush Holder Cap 5-8	100	652008-6	4	P.H. Screw M3.5x7
26	191938-1	2	Carbon Brush CB-408 (2pcs/Set)	101	654037-5	4	Insulated Termnal RBV1.25-3
27	643922-7	2	Brush Holder				
28	416416-3	1	Scroll Plate				
29	241660-1	1	Fan 68				
30	252153-3	1	Hex Nut M6-10				
31	344584-1	1	Plate				
32	225079-2	1	Synchro Belt 6-300				
33	*	1	Belt Cover/Belt Cover Set (Incl. 67)				
34	265999-8	4	Tapping Screw, Flange, 4x25				
35	267177-6	1	Flat Washer 12				
36	253865-1	1	Flat Washer 8				
37	422032-1	1	Rubber Sleeve 29				
38	316971-4	1	Driving Roller				
39	252154-1	1	Hex Nut M8-13				
40	253077-6	1	Flat Washer 6				
41	210022-4	1	Ball Bearing 626DDW				
42	210023-2	1	Ball Bearing 627DDW				
43	253823-7	1	Flat Washer 7				
44	681648-3	1	Insulation Washer 11.7mm Dia (Type 1)				
	681658-0	1	Insulation Washer 9.7mm Dia (Type 2)				
				<b>Accessories</b>			
				A01	122548-3	1	Dust Bag Assy (With Item A06)
				A02	344586-7	1	Steel Plate
				A03	-----	1	Abrasive Belt (See Catalogue for Details)
				A04	192278-0	1	Hose Com. 28-1.5
					192279-8	1	Hose Com 28-3.0
				A05	192694-6	1	Clamp Com.
				A06	410602-8	1	Fastener

**SERVICE CHANGES**

**1. Change on Belt Cover and addition of Earth Supporter and Earth Plate.**

Earth Supporter and Earth Plate have been added and Belt Cover changed to prevent generation of static electricity.



Item No.	Description	Type 1	Type 2
33	Belt Cover/Belt Cover Set	416415-5	183021-8
66	Earth Supporter	-----	344703-9
67	Earth Plate	-----	344701-3
Serial No.	9910	~ 8778E	8779E ~
	9911	~ 8159E	8160E ~

Above parts are completely interchangeable as a set.